



# VELTIA HANDDRYER

## Veltia V7 TRI-BLADE

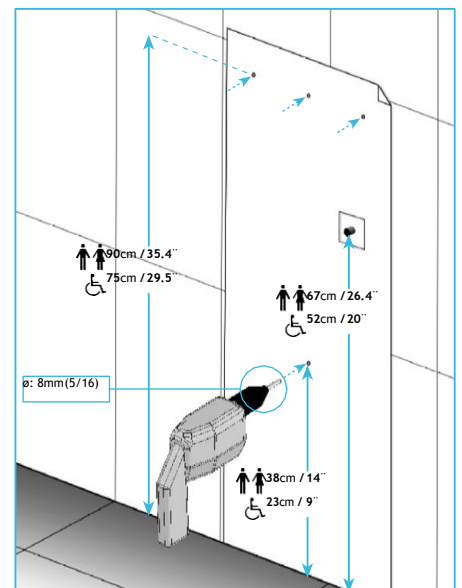
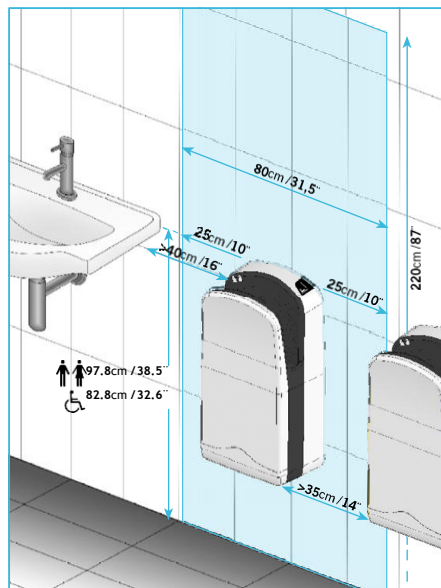
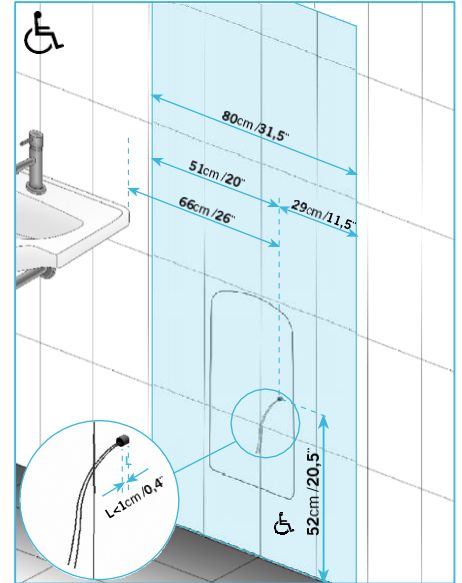
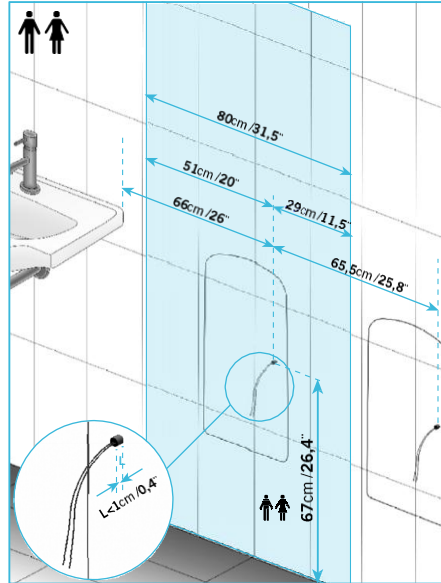
### Data Sheet



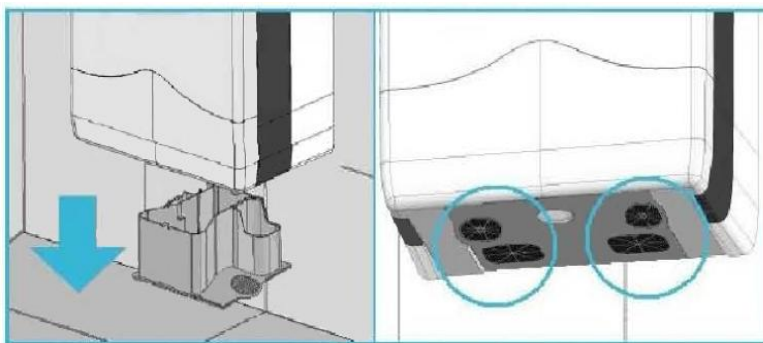
New Generation Hand Dryers



### RECOMMENDED HEIGHTS FOR INSTALLATION

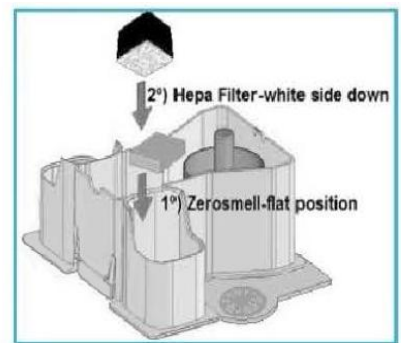


### MAINTENANCE



The basic maintenance consists in emptying the water tank and cleaning the air filters following the instructions of the user's manual.

An electronic device warns (audible and visual alarm) if maintenance is required



OPTIONALS:  
ZeroSmell and Hepa Filter



Product information subject to changes without further notice

Rev.:1.1 January 2015



# VELTIA HAND DRYER

Veltia V7 TRI-BLADE



## DATA SHEET



VELTIA® is an innovative hand dryer that operates without heating elements. It operates automatically when putting your hands in the drying chamber. It works based on a high speed air flow, allowing dry your hands in a very short time leaving on the skin a nice feeling of massage.

Besides a great effectiveness, VELTIA® includes a bad scents elimination system thanks to ZEROSMELL® (sold separately).

Optional: Hepa Filter H12 (total retention  $\geq 99.5\%$ )

VELTIA® is ideal for washrooms with medium and high number of uses per day.

Patent number: WO / 2006 / 042896

### TECHNICAL, ENVIROMENTAL AND MECHANICAL SPECIFICATIONS

MODEL	240V
Voltage	220/230/240V ~
Frequency	50/60 Hz
Power Consumption	1.760 W
Current (when runnig)	8.0A @ 230Vac
Electrical Isolation	Class II
Air Speed	340 Km/h (211 mph)
Drying Time	6 - 8 s
Dimensions	617 x 300 x 195 (mm) 24.29 x 11.81 x 7.68 (inches)
Weight	9.55 Kg (21.1 Lb)
IP Code	IPX1
Sound Levels (@ 2 mt)	75 dB
Number of Motors	2
Motors Speed	30.000 rpm
Motors Driving System	Soft Starting
Hands Detection System	IR - Barrier

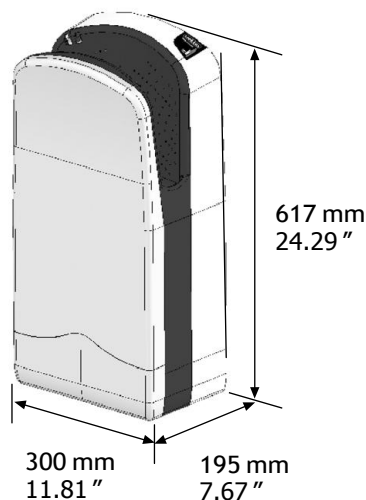
### MATERIALS

Housing case and water tank made of High impact 2.6 mm thick ABS with antibacterial protection in drying area. All plastic pieces are properly prepared for recycling.

In 120 V units, internal parts are made of fire retardant plastic rated 5VA according to directive UL94.

Veltia complies with the following directives: ROHS (Restriction of Hazardous Substances) and RAEE (Collection of electrical and electronic equipment and waste management).

### DIMENSIONS



### CERTIFICACIONES

CB Test Certificate  
CE Conformity Declaration(\*)

(\*) According to European Directives:  
Low Voltage Directive (LVD) 2006/95/CE and  
Electromagnetic Compatibility Directive (EMC) 2004/108/CE

#### Other Certifications:

ANCE NOM (Mexico)

SABS (South Africa)

SII - The Standards Institution of Israel



- Australian Standards

Product information subject to changes without further notice

Rev.:1.1

January 2015

2/2